

PCM104 Automotive Pressure Transmitter

Features

- High performance, corrosion resistance, no hysteresis, and impact resistance (no leakage even after overpressure damage)
- Adopting advanced chips specifically designed for signal conditioning of high integration bridge pressure sensors, with high precision and stability
- Good electrical performance and long-term stability
- Protection: IP67
- Special customization such as process connection can be supported
- Warranty time: 18 months



Applications and industries

- Automotive braking, automotive oil, automotive air conditioning and automotive intake system
- New energy vehicle thermal management
- Air compressors
- Water pumps
- Intelligent pressure cooker

Product overview

PCM104 is a ceramic capacitive pressure transmitter developed by our company for high reliability systems in automobiles and other industries. The excellent ceramic capacitive sensor has excellent characteristics of corrosion resistance, impact resistance, high elasticity, and no hysteresis through dedicated conditioning chips. Widely used in systems such as automotive braking, automotive oil, automotive air conditioning, automotive intake, new energy vehicle thermal management, air compressors, water pumps, intelligent pressure cooker pressure detection, etc

Notes:

- 1 Do not touch the diaphragm with hard objects, which may cause damage to the diaphragm.
- 2 Please read the Instruction Manual of the product carefully before installation and check the relevant information of the product.
- 3 Strictly follow the wiring method for wiring, otherwise it may cause product damage or other potential faults.
- 4 Misuse of the product may cause danger or personal injury.

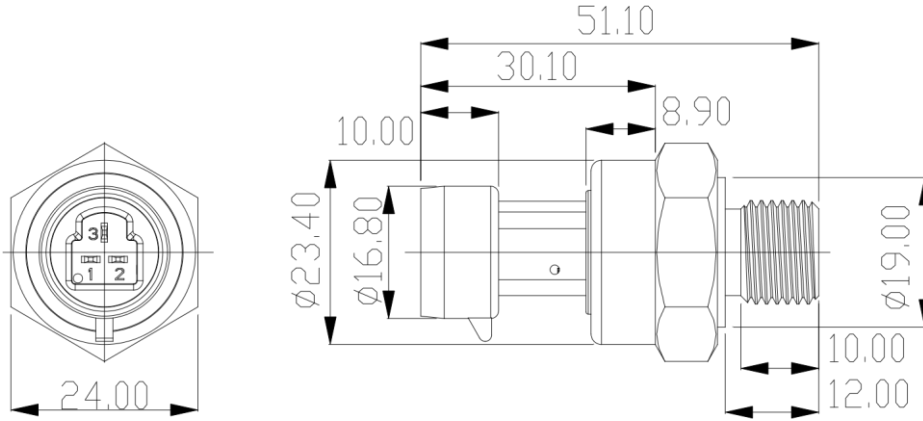
Notes:

- 1 Do not misuse documentation.
- 2 The information presented in this product sheet is for reference only. Do not use this document as a product installation guide.
- 3 Complete installation, operation, and maintenance information is provided in the instructions of the product.
- 4 Misuse of the product may cause danger or personal injury.

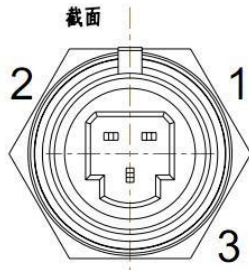
Performance parameters	
Pressure range	0~0.5MPa...10MPa
Overload pressure	200%FS
Burst pressure	300%FS
Pressure reference	Sealed gauge pressure
Process connection	Customized
Comprehensive accuracy	± 1%
Long term stability	±0.3%FS/year
Operating Temp.	-40~125°C
Storage Temp.	-40~150°C
Power Supply (DC)	Voltage: 5±0.5V Current: 12-36V
Output Signal	0-5VDC (3.5mA), 4-20mA
Electrical Connection	Parker Connector
Protection	IP67
Material	Housing: SS304 Sensor: Ceramic
Vibration	10gRMS, (20~2000)Hz
Shock	100g, 11ms
Insulation	> 100MΩ @250VDC
Response time	< 1ms (@ 90%FS)
CE	EMC: IEC61326-1 B
	Electrostatic Discharge: IEC61000-4-2
	Electromagnetic field immunity: IEC61000-4-3
	EFT Immunity: IEC61000-4-4
	Surge immunity: IEC61000-4-5

Electrical Connection & Dimension

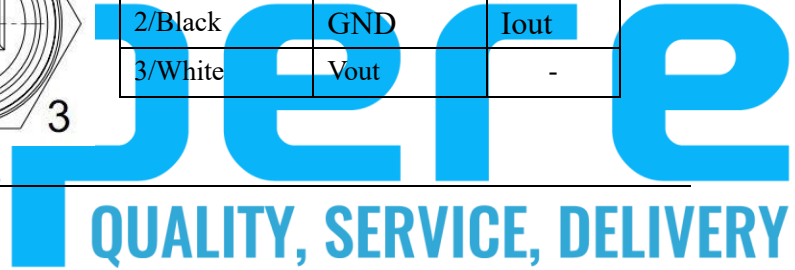
General Dimension
In mm



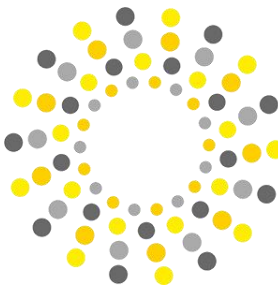
Electrical Connection



Output Signal	Voltage	Current
1/Red	VCC	VCC
2/Black	GND	Iout
3/White	Vout	-



Contact:



Bhavya Bafna

Sales | **Sourcewell Devices Pvt Ltd**

P : [+91-22-43688655](tel:+912243688655)

M : [+91-9967079460](tel:+919967079460)

E : bhavya@emaarindia.in

W : www.sourcewell.in

A : 302/303, Diamond Plaza,
Lamington Road, Mumbai-400004 India