

**DATA SHEET**

MODULE NO. :

**TGG12864D SERIES****Customer:**

Approved by:

**Sonytek Display Co., Ltd.**

Approved by

Checked by

Prepared by



**CONTENTS**

**1. FUNCTIONS & FEATURES .....4**

**2. MECHANICAL SPECIFICATIONS.....4**

**3. EXTERNAL DIMENSIONS.....5**

**4. BLOC`K DIAGRAM.....6**

**5. PIN ASSIGNMENT .....6**

**6. BACKLIGHT ELECTRICAL/OPTICAL SPECIFICATIONS .....7**

**7. MAXIMUM ABSOLUTE POWER RATINGS .....7**

**8. ELECTRICAL CHARACTERISTICS .....8**

**9. INSTRUCTION TABLE ..... 10**

**10. OPTICAL CHARACTERISTICS ..... 11**

**11. MODULE ACCEPT QUALITY LEVEL (AQL) ..... 13**

**12. RELIABILITY TEST..... 13**

**13. INSPECTION SPECIFICATION ..... 14**

**14. LCD MODULES HANDLING PRECAUTIONS..... 17**

**15. OTHERS..... 17**

**1. FUNCTIONS & FEATURES**

- TGG12864D Series LCD type:

Module	LCD Type	Remark
TGG12864DFPW	FSTN Transflective Positive Mode	

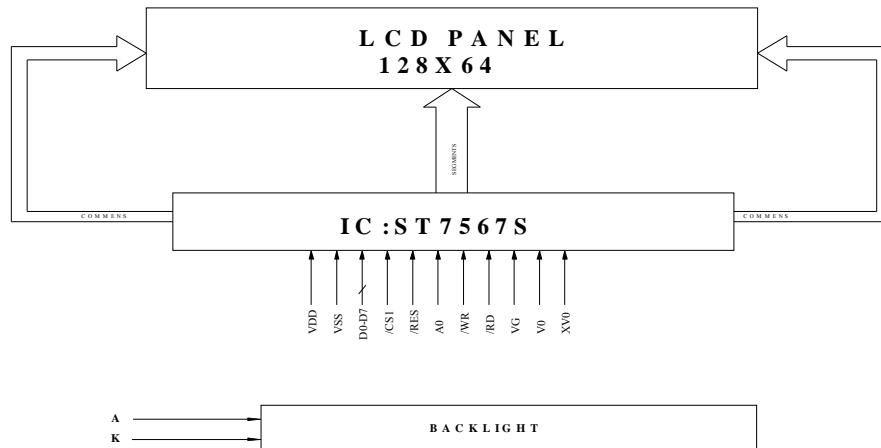
- Display Contents :128 x 64 Dots
- Driving Scheme : 1/65Duty; 1/9Bias
- Viewing Direction :6 O' clock
- Power Supply Voltage : 3.0V.
- Driver IC :ST7567S
- Interface :Parallel
- Backlight :white
- Operating Temperature :-20°C — + 70°C
- Storage Temperature :-30°C — + 80°C
- RoHS Compliant

**2. MECHANICAL SPECIFICATIONS**

- Outline Dimensions : 74.00(W) x 41.70(L) x 6.30(H)(mm)
- Viewing Area : 50.00 (W) x 25.00(L)(mm)
- Active Area : 46.05 (W) x 23.01 (L)(mm)
- Dot Pitch : 0.36 (W) x 0.36 (L)(mm)
- Dot Size : 0.33 (W) x 0.33 (L)(mm)
- Weight : TBD



4. BLOC`K DIAGRAM



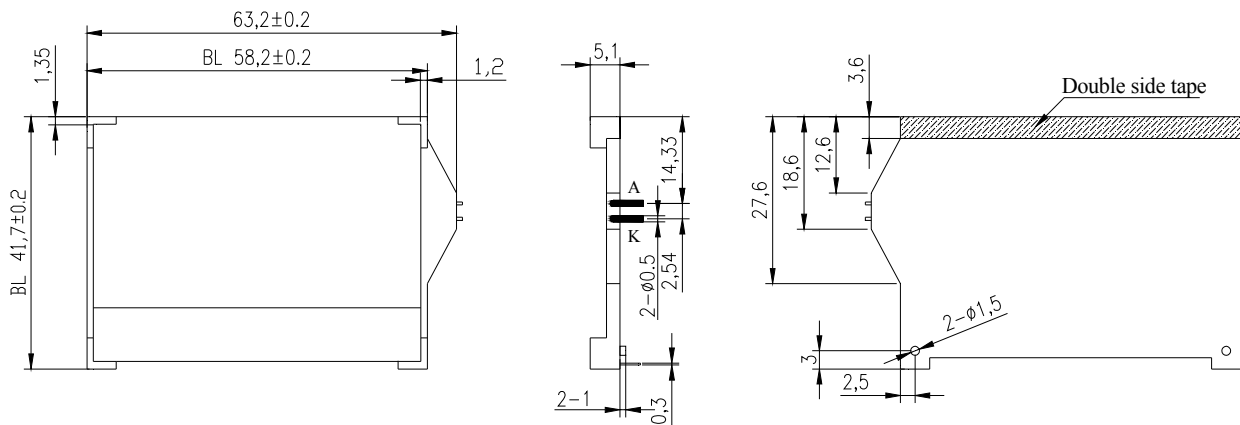
5. PIN ASSIGNMENT

Pin No.	Symbol	Function
1	GND	Ground terminal of module.
2	VDD	Power terminal of module
3	C86	This is the MPU interface selection pin. C86 = "H": 6800 Series MPU interface. C86 = "L": 8080 Series MPU interface.
4-11	D0-D7	This is an 8-bit bi-directional data bus that connects to an 8-bit or 16-bit standard MPU data bus. When the serial interface (SPI-4) is selected (P/S = "L") : D7: serial data input (SI); D6: the serial clock input (SCL). D0 to D5 should be connected to VDD or floating. When the chip select is not active, D0 to D7 are set to high impedance.
12	/RD(E)	• When connected to 8080 series MPU, this pin is treated as the "/RD" signal of the 8080 MPU and is LOW-active. The data bus is in an output status when this signal is "L". • When connected to 6800 series MPU, this pin is treated as the "E" signal of the 6800 MPU and is HIGH-active. This is the enable clock input terminal of the 6800 Series MPU.
13	/WR(R/W)	• When connected to 8080 series MPU, this pin is treated as the "/WR" signal of the 8080 MPU and is LOW-active. The signals on the data bus are latched at the rising edge of the /WR signal. • When connected to 6800 series MPU, this pin is treated as the "R/W" signal of the 6800 MPU and decides the access type : When R/W = "H": Read. When R/W = "L": Write.
14	RS	This is connecting to the least significant bit of the normal MPU address bus, and it determines whether the data bits are data or command. RS = "H": Indicates that D0 to D7 are display data. RS = "L": Indicates that D0 to D7 are control data.
15	/RES	When /RES is set to "L", the register settings are initialized (cleared). The reset operation is performed by the /RES signal level.
16	/CS1	This is the chip select signal.
17	LEDA	Anode of Backlight
18	LEDK	Cathode of Backlight

**6. BACKLIGHT ELECTRICAL/OPTICAL SPECIFICATIONS**

**Electrical/Optical Specifications**

ITEM	SYMBOL	MIN.	TYP.	MAX.	UNIT	CONDITIONS
Forward Voltage	Vf	2.9	3.1	3.3	V	If= 15 x 1 mA
Reverse Current	Ir			120	mA	Vr=5.0 V
Power Dissipation	Pd			275	mW	If= 15 x 1 mA
Dominant wave length	X		0.299	0.33		If= 15 x 1 mA
	Y		0.313	0.33	-	
Luminous	LV	85			cd/m2	If= 15 x 1 mA
Luminous Uniformity	$\Delta Lv$	70			%	If= 15 x 1 mA



**7. MAXIMUM ABSOLUTE POWER RATINGS**

Item	Symbol	Standard value	Unit
Power supply voltage(1)	VDD	-0.3~+3.6	V
Power supply voltage(2)	VOUT,, V0,	-0.3 ~ 13.5	V
Power supply voltage(3)	VIN	-0.3 ~ V0	V
Operating temperature	Topr	-20~+70	°C
Storage temperature	Tstg	-30~+80	°C

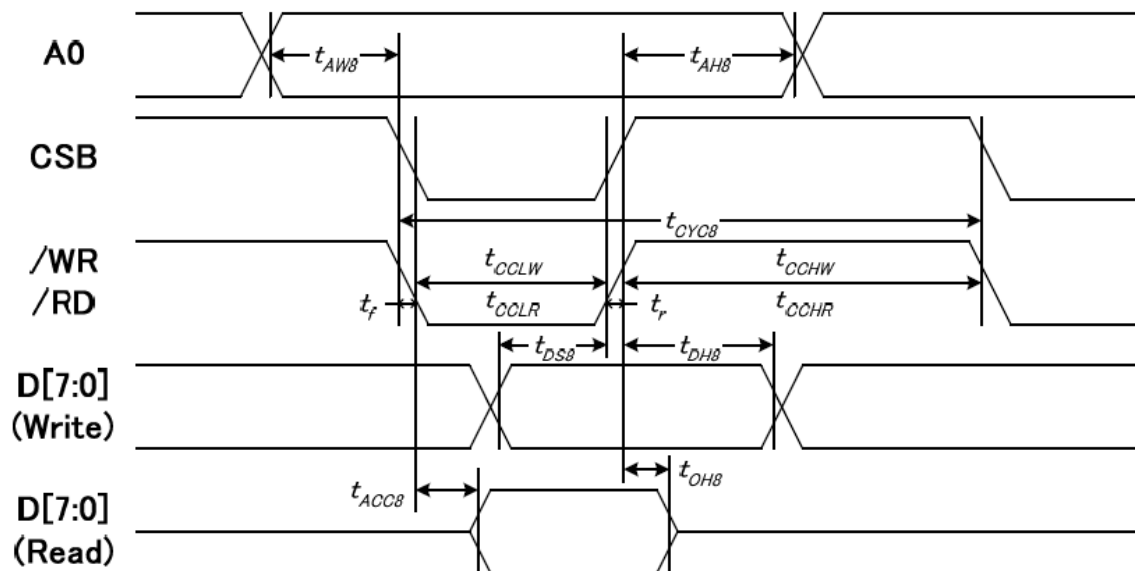
8. ELECTRICAL CHARACTERISTICS

8-1 DC Characteristics

Item	Symbol	Standard Value			Test Condition	Unit
		Min	Typ	Max		
Operating Voltage	$V_{DD} - V_{SS}$	2.8	3.0	3.2	TA=25°C	V
Supply Current	$I_{DD}$	----	TBD	5.0	--	mA
LCD Driving Voltage	$V_0 - V_{SS}$	9.25	9.45	9.65	TA=25°C	V

8-2 AC Characteristics

8.2.1 Read/Write mode for the 8080 Series MPU

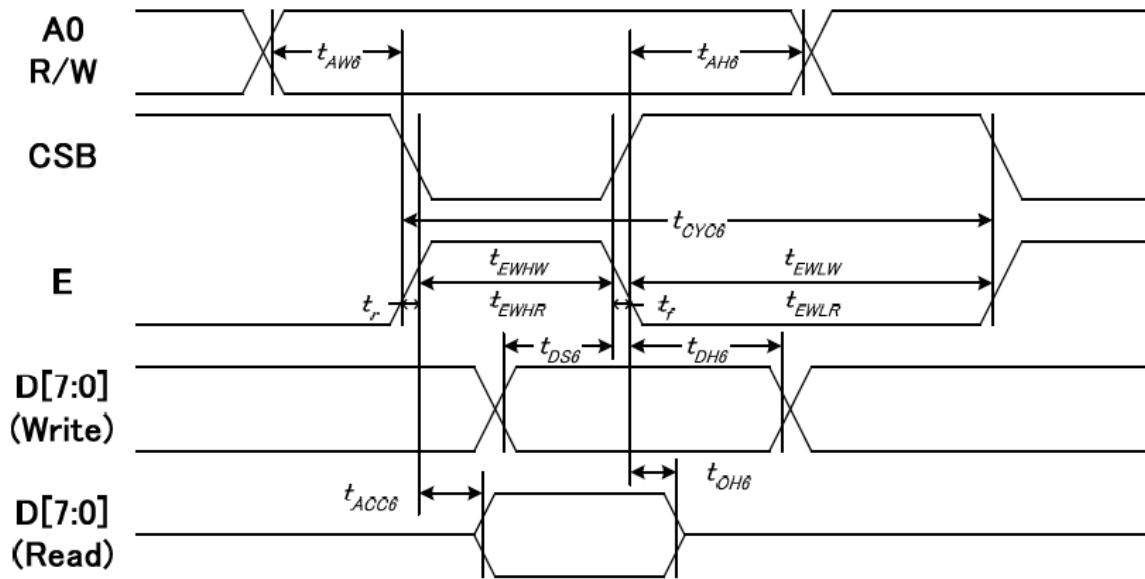


(VDD1 = 3.3V, Ta = 25°C)

Item	Signal	Symbol	Condition	Min.	Max.	Unit
Address setup time	A0	tAW8		0	—	ns
Address hold time		tAH8		10	—	
System cycle time	/WR	tCYC8		240	—	
/WR L pulse width (WRITE)		tCCLW		80	—	
/WR H pulse width (WRITE)		tCCHW		80	—	
/RD L pulse width (READ)		RD	tCCLR		140	
/RD H pulse width (READ)	tCCHR			80	—	
WRITE Data setup time	D[7:0]	tDS8		40	—	
WRITE Data hold time		tDH8		20	—	
READ access time		tACC8	CL = 16 pF	—	70	
READ Output disable time		tOH8	CL = 16 pF	5	50	



8.2.2 Read/Write mode for the 6800 Series MPU



(VDD1 = 3.3V , Ta =25°C)

Item	Signal	Symbol	Condition	Min.	Max.	Unit
Address setup time	A0	tAW6		0	—	ns
Address hold time		tAH6		10	—	
System cycle time	E	tCYC6		240	—	
Enable L pulse width (WRITE)		tEHLW		80	—	
Enable H pulse width (WRITE)		tEHWLW		80	—	
Enable L pulse width (READ)		tEHLR		80	—	
Enable H pulse width (READ)	tEHWHR		140	—		
Write data setup time	D[7:0]	tDS6		40	—	
Write data hold time		tDH6		10	—	
Read data access time		tACC6	CL = 16 pF	—	70	
Read data output disable time		tOH6	CL = 16 pF	5	50	

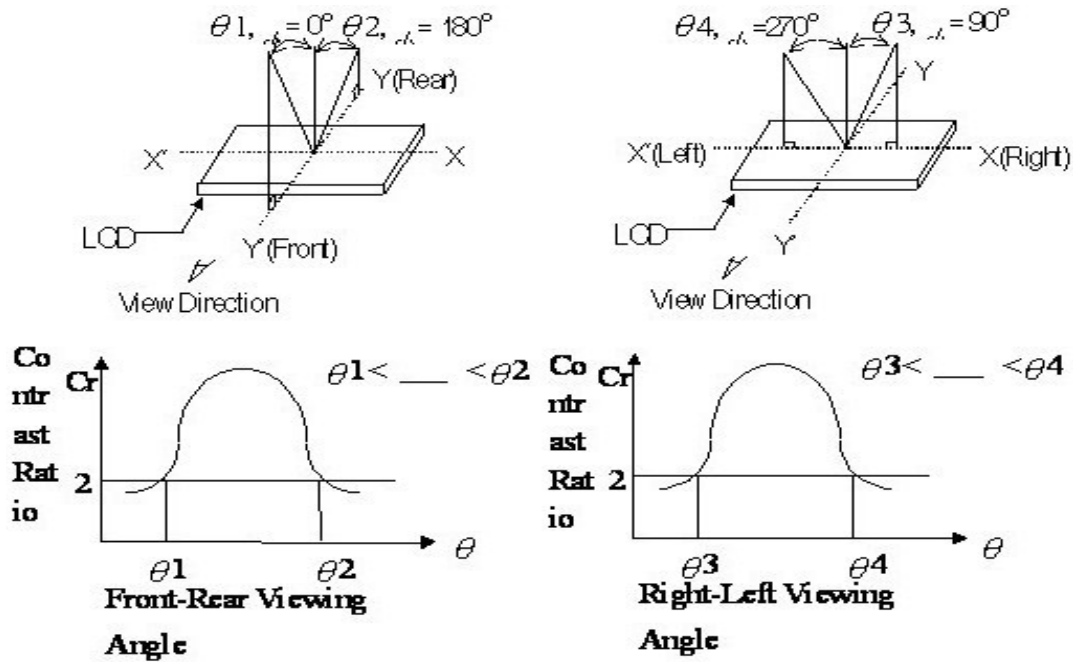
## 9. INSTRUCTION TABLE

INSTRUCTION	A0	R/W (RWR)	COMMAND BYTE								DESCRIPTION
			D7	D6	D5	D4	D3	D2	D1	D0	
(1) Display ON/OFF	0	0	1	0	1	0	1	1	1	D	D=1, display ON D=0, display OFF
(2) Set Start Line	0	0	0	1	S5	S4	S3	S2	S1	S0	Set display start line
(3) Set Page Address	0	0	1	0	1	1	Y3	Y2	Y1	Y0	Set page address
(4) Set Column Address	0	0	0	0	0	1	X7	X6	X5	X4	Set column address (MSB)
	0	0	0	0	0	0	X3	X2	X1	X0	Set column address (LSB)
(5) Read Status	0	1	0	MX	D	RST	0	0	0	0	Read IC Status
(6) Write Data	1	0	D7	D6	D5	D4	D3	D2	D1	D0	Write display data to RAM
(7) Read Data	1	1	D7	D6	D5	D4	D3	D2	D1	D0	Read display data from RAM
(8) SEG Direction	0	0	1	0	1	0	0	0	0	MX	Set scan direction of SEG MX=1, reverse direction MX=0, normal direction
(9) Inverse Display	0	0	1	0	1	0	0	1	1	INV	INV =1, inverse display INV =0, normal display
(10) All Pixel ON	0	0	1	0	1	0	0	1	0	AP	AP=1, set all pixel ON AP=0, normal display
(11) Bias Select	0	0	1	0	1	0	0	0	1	BS	Select bias setting 0=1/9; 1=1/7 (at 1/65 duty)
(12) Read-modify-Write	0	0	1	1	1	0	0	0	0	0	Column address increment: Read:+0 , Write:+1
(13) END	0	0	1	1	1	0	1	1	1	0	Exit Read-modify-Write mode
(14) RESET	0	0	1	1	1	0	0	0	1	0	Software reset
(15) COM Direction	0	0	1	1	0	0	MY	-	-	-	Set output direction of COM MY=1, reverse direction MY=0, normal direction
(16) Power Control	0	0	0	0	1	0	1	VB	VR	VF	Control built-in power circuit ON/OFF
(17) Regulation Ratio	0	0	0	0	1	0	0	RR2	RR1	RR0	Select regulation resistor ratio
(18) Set EV	0	0	1	0	0	0	0	0	0	1	Double command!! Set electronic volume (EV) level
	0	0	0	0	EV5	EV4	EV3	EV2	EV1	EV0	
(19) Set Booster	0	0	1	1	1	1	1	1	0	0	Double command!! Set booster level:
	0	0	0	0	0	0	0	0	0	0	BL=0: 4X BL=1: 5X
(20) Power Save	0	0	Compound Command								Display OFF + All Pixel ON
(21) NOP	0	0	1	1	1	0	0	0	1	1	No operation
(22) Test	0	0	1	1	1	1	1	1	1	-	Do NOT use. Reserved for testing.

Note: Symbol "-" means this bit can be "H" or "L".

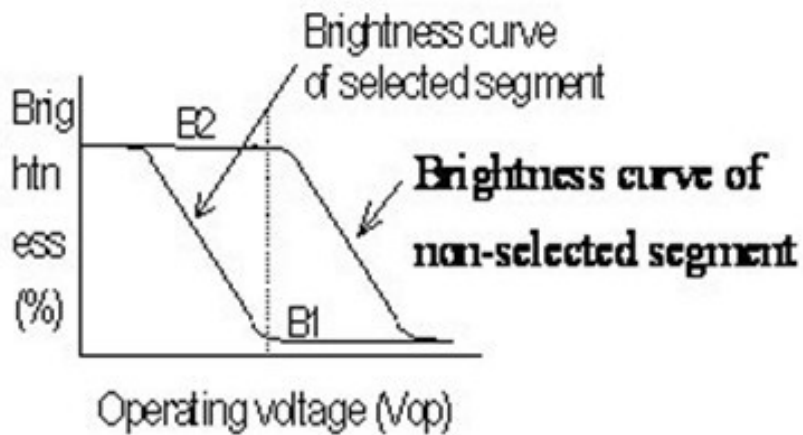
10. Optical Characteristics

10.1 Definition of Viewing Angle

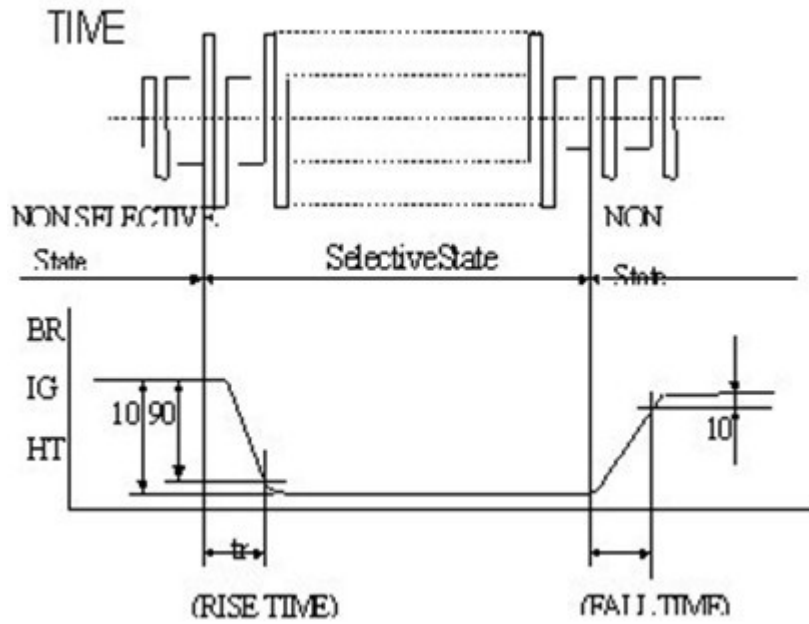


10.2 Definition of Contrast

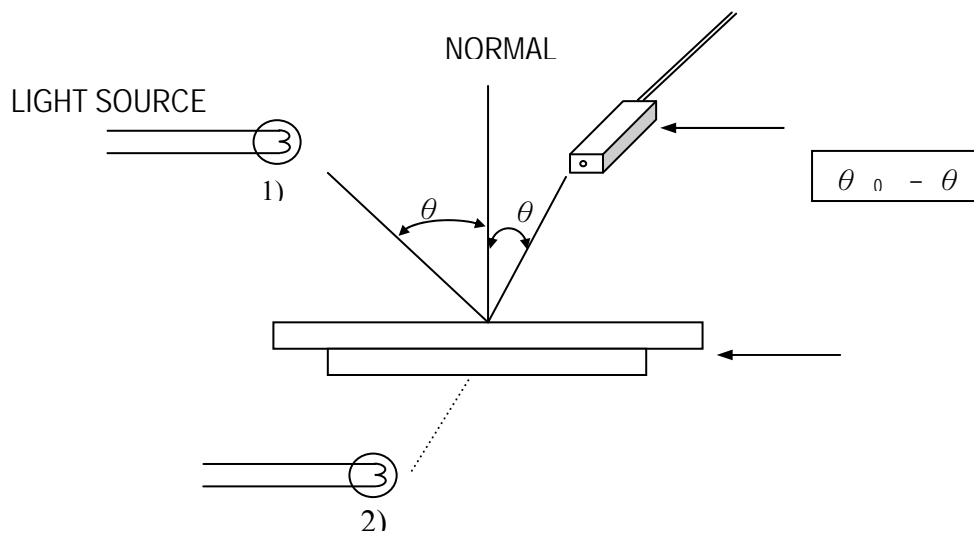
$$\text{RATIO} \quad \text{C.R} = \frac{\text{Brightness of nonselected segment (E2)}}{\text{Brightness of selected segment}}$$



10.3 Definition of Response



10.4 Measuring Instruments For Electro-optical Characteristics



\* Note:

- 1) Light source position for measuring the reflective type of LCD panel;
- 2) Light source position for measuring the transfective / transmissive types of LCD panel.

**11. MODULE ACCEPT QUALITY LEVEL (AQL)**

**11.1 AQL Standard Value: Critical Defect =0.1, Major Defect=0.65; Minor Defect =2.5.**

**11.2 Inspection Standard: MIL-STD-105E Table Normal Inspection Single Sampling Level II**

**12. RELIABILITY TEST**

Operating life time: Longer than 50,000 hours

(at room temperature without direct irradiation of sunlight)

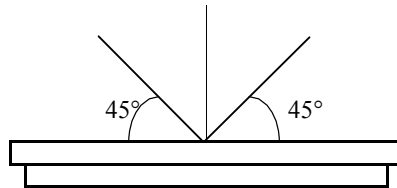
Reliability characteristics shall meet following requirements.

No.	Test Item	Content of Test	Test Condition
1	High Temperature Storage	Endurance test applying the high storage temperature for a long time	+80°C 96H
2	Low Temperature Storage	Endurance test applying the low storage temperature for a long time	-30°C 96H
3	High Temperature Operation	Endurance test applying the electric stress (voltage & current) and the thermal stress to the element for a long time	+70°C 96H
4	Low Temperature Operation	Endurance test applying the electric stress under low temperature for a long time	-20°C 96H
5	High Temperature/ Humidity Storage	Endurance test applying the high temperature and humidity storage for a long time	60°C 90%RH 96H
6	Temperature Cycle	Endurance test applying the low and high temperature cycle $-20^{\circ}\text{C} \begin{matrix} \leftarrow \\ \rightarrow \end{matrix} 25^{\circ}\text{C} \begin{matrix} \leftarrow \\ \rightarrow \end{matrix} 70^{\circ}\text{C} \begin{matrix} \leftarrow \\ \rightarrow \end{matrix} 25^{\circ}\text{C}$ $30\text{min} \quad 5\text{min} \quad 30\text{min} \quad 5\text{min}$ $\begin{matrix} \leftarrow \\ \rightarrow \end{matrix} \\ \text{1 cycle}$	-20°C/70°C 5 cycles
7	Vibration Test (Package State)	Endurance test applying the vibration during transportation	10Hz—55Hz, 50m/s, 15min
8	Shock Test (Package State)	Endurance test applying the shock during transportation	Half-sinewave, 100m/s, 11ms
9	Atmospheric Pressure Test	Endurance test applying the atmospheric pressure during transportation by air	40 kPa 16 H

13. Inspection specification

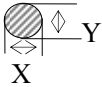
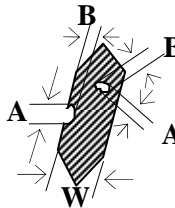
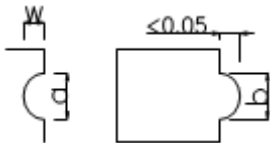
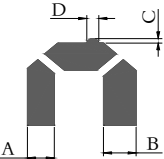
13.1 Visual Inspection

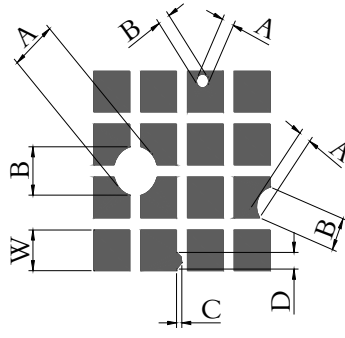
- 1) Inspect under 2x20W or 40W fluorescent lamp (approximately 3000 lux) leaving 25 to 30 cm between the module and the lamp and 30 cm between the module and the eye (measuring position).
- 2) Appearance is inspected at the best contrast voltage (best contrast is adjusted considering clearness and crosstalk on screen).
- 3) Inspect the module at 45° right and left, top and bottom.
- 4) Use the optimum viewing angle during the contrast inspection.



13.2 Standard of Appearance Inspection

No.	Item	Criteria																																			
1	Black spot White spot Dust	<p>Round type: as per following drawing</p> $\Phi = (X+Y)/2$ <table border="1"> <thead> <tr> <th colspan="3">Acceptable quantity</th> </tr> <tr> <th>Size</th> <th>Zone A</th> <th>Zone B</th> </tr> </thead> <tbody> <tr> <td><math>\Phi &lt; 0.1</math></td> <td>Any number</td> <td rowspan="4">Any number</td> </tr> <tr> <td><math>0.1 &lt; \Phi &lt; 0.2</math></td> <td>2</td> </tr> <tr> <td><math>0.2 &lt; \Phi &lt; 0.25</math></td> <td>1</td> </tr> <tr> <td><math>0.25 &lt; \Phi</math></td> <td>0</td> </tr> </tbody> </table> <p>Line type: as per following drawing</p> <table border="1"> <thead> <tr> <th colspan="4">Acceptable quantity</th> </tr> <tr> <th>Length</th> <th>Width</th> <th>Zone A</th> <th>Zone B</th> </tr> </thead> <tbody> <tr> <td>—</td> <td><math>W \leq 0.02</math></td> <td>Any number</td> <td rowspan="4">Any number</td> </tr> <tr> <td><math>L \leq 3.0</math></td> <td><math>0.02 &lt; W \leq 0.03</math></td> <td rowspan="2">2</td> </tr> <tr> <td><math>L \leq 2.5</math></td> <td><math>0.03 &lt; W \leq 0.05</math></td> </tr> <tr> <td>—</td> <td><math>0.05 &lt; W</math></td> <td>As round type</td> </tr> </tbody> </table> <p>Total acceptable quantity: 3</p>	Acceptable quantity			Size	Zone A	Zone B	$\Phi < 0.1$	Any number	Any number	$0.1 < \Phi < 0.2$	2	$0.2 < \Phi < 0.25$	1	$0.25 < \Phi$	0	Acceptable quantity				Length	Width	Zone A	Zone B	—	$W \leq 0.02$	Any number	Any number	$L \leq 3.0$	$0.02 < W \leq 0.03$	2	$L \leq 2.5$	$0.03 < W \leq 0.05$	—	$0.05 < W$	As round type
		Acceptable quantity																																			
Size	Zone A	Zone B																																			
$\Phi < 0.1$	Any number	Any number																																			
$0.1 < \Phi < 0.2$	2																																				
$0.2 < \Phi < 0.25$	1																																				
$0.25 < \Phi$	0																																				
Acceptable quantity																																					
Length	Width	Zone A	Zone B																																		
—	$W \leq 0.02$	Any number	Any number																																		
$L \leq 3.0$	$0.02 < W \leq 0.03$	2																																			
$L \leq 2.5$	$0.03 < W \leq 0.05$																																				
—	$0.05 < W$	As round type																																			
2	Polariser	Scratch on protective film is permitted																																			

<p>3</p>	<p>scratch</p> <p>Polariser bubble</p>	<p>Scratch on polariser: same as No. 1</p> <p><math>\Phi = (X+Y)/2</math></p>  <p>Total acceptable quantity: 3</p> <table border="1" data-bbox="869 315 1399 853"> <thead> <tr> <th colspan="3">Acceptable quantity</th> </tr> <tr> <th>Size</th> <th>Zone A</th> <th>Zone B</th> </tr> </thead> <tbody> <tr> <td><math>\Phi &lt; 0.2</math></td> <td>Any number</td> <td rowspan="4">Any number</td> </tr> <tr> <td><math>0.2 &lt; \Phi &lt; 0.5</math></td> <td>2</td> </tr> <tr> <td><math>0.5 &lt; \Phi &lt; 1.0</math></td> <td>1</td> </tr> <tr> <td><math>1.0 &lt; \Phi</math></td> <td>0</td> </tr> </tbody> </table>	Acceptable quantity			Size	Zone A	Zone B	$\Phi < 0.2$	Any number	Any number	$0.2 < \Phi < 0.5$	2	$0.5 < \Phi < 1.0$	1	$1.0 < \Phi$	0													
Acceptable quantity																														
Size	Zone A	Zone B																												
$\Phi < 0.2$	Any number	Any number																												
$0.2 < \Phi < 0.5$	2																													
$0.5 < \Phi < 1.0$	1																													
$1.0 < \Phi$	0																													
<p>4</p>	<p>Segment deformation</p>	<p>4.1 Pin hole on segmented display</p> <p>W: segment width</p> <p><math>\Phi = (A+B)/2</math></p>  <table border="1" data-bbox="807 994 1399 1361"> <thead> <tr> <th colspan="2">Acceptable quantity</th> </tr> <tr> <th>Width</th> <th>Quantity</th> </tr> </thead> <tbody> <tr> <td><math>W \leq 0.4</math></td> <td><math>\Phi \leq 0.2</math> and <math>\Phi \leq 1/2W</math></td> </tr> <tr> <td><math>W &gt; 0.4</math></td> <td><math>\Phi \leq 0.25</math> and <math>\Phi \leq 1/3W</math></td> </tr> <tr> <td colspan="2">Total acceptable quantity: 1 defect per segment</td> </tr> <tr> <td colspan="2">Pin holes with <math>\Phi</math> under 0.10 mm are acceptable</td> </tr> </tbody> </table> <p>4.2 Pin hole on dot matrix display</p>  <table border="1" data-bbox="1010 1422 1399 1960"> <thead> <tr> <th colspan="2">Acceptable quantity</th> </tr> <tr> <th>Size</th> <th>Quantity</th> </tr> </thead> <tbody> <tr> <td><math>a, b &lt; 0.1</math></td> <td>Any number</td> </tr> <tr> <td><math>(a+b)/2 \leq 0.1</math></td> <td>Any number</td> </tr> <tr> <td><math>0.5 &lt; \Phi &lt; 1.0</math></td> <td>3</td> </tr> </tbody> </table> <p>4.3 Segments / dots with different width</p>  <table border="1" data-bbox="963 1960 1319 2078"> <thead> <tr> <th colspan="2">Acceptable</th> </tr> </thead> <tbody> <tr> <td><math>a \geq b</math></td> <td><math>a/b \leq 4/3</math></td> </tr> <tr> <td><math>a &lt; b</math></td> <td><math>a/b &gt; 4/3</math></td> </tr> </tbody> </table> <p>4.4 Alignment layer defect</p>	Acceptable quantity		Width	Quantity	$W \leq 0.4$	$\Phi \leq 0.2$ and $\Phi \leq 1/2W$	$W > 0.4$	$\Phi \leq 0.25$ and $\Phi \leq 1/3W$	Total acceptable quantity: 1 defect per segment		Pin holes with $\Phi$ under 0.10 mm are acceptable		Acceptable quantity		Size	Quantity	$a, b < 0.1$	Any number	$(a+b)/2 \leq 0.1$	Any number	$0.5 < \Phi < 1.0$	3	Acceptable		$a \geq b$	$a/b \leq 4/3$	$a < b$	$a/b > 4/3$
Acceptable quantity																														
Width	Quantity																													
$W \leq 0.4$	$\Phi \leq 0.2$ and $\Phi \leq 1/2W$																													
$W > 0.4$	$\Phi \leq 0.25$ and $\Phi \leq 1/3W$																													
Total acceptable quantity: 1 defect per segment																														
Pin holes with $\Phi$ under 0.10 mm are acceptable																														
Acceptable quantity																														
Size	Quantity																													
$a, b < 0.1$	Any number																													
$(a+b)/2 \leq 0.1$	Any number																													
$0.5 < \Phi < 1.0$	3																													
Acceptable																														
$a \geq b$	$a/b \leq 4/3$																													
$a < b$	$a/b > 4/3$																													

		$\Phi = (A+B)/2$  <p>Total acceptable quantity: 7</p> <table border="1" data-bbox="970 295 1326 913"> <thead> <tr> <th colspan="2">Acceptable quantity</th> </tr> <tr> <th>Size</th> <th>Quantity</th> </tr> </thead> <tbody> <tr> <td><math>\Phi \leq 0.4</math></td> <td>Any number</td> </tr> <tr> <td><math>0.4 &lt; \Phi \leq 1.0</math></td> <td>5</td> </tr> <tr> <td><math>1.0 &lt; \Phi \leq 1.5</math></td> <td>3</td> </tr> <tr> <td><math>1.5 &lt; \Phi \leq 2.0</math></td> <td>2</td> </tr> </tbody> </table>	Acceptable quantity		Size	Quantity	$\Phi \leq 0.4$	Any number	$0.4 < \Phi \leq 1.0$	5	$1.0 < \Phi \leq 1.5$	3	$1.5 < \Phi \leq 2.0$	2				
Acceptable quantity																		
Size	Quantity																	
$\Phi \leq 0.4$	Any number																	
$0.4 < \Phi \leq 1.0$	5																	
$1.0 < \Phi \leq 1.5$	3																	
$1.5 < \Phi \leq 2.0$	2																	
5	Colour uniformity	Level of sample for approval set as limit sample																
6	Backlight	The backlight colour should correspond to the product specification Flashing and or unlit backlight is not allowed Dust larger than 0.25 mm is not allowed																
7	COB	Exposed wire bond pad is not allowed Insufficient covering with resin is not allowed (wire bond line exposed) Dust or bubble on the resin are not allowed																
8	PCB	No unmelted solder paste should be present on PCB Cold solder joints, missing solder connections, or oxidation are not allowed No residue or solder balls on PCB are allowed Short circuits on components are not allowed																
9	Tray particles	<table border="1" data-bbox="703 1440 1246 2016"> <thead> <tr> <th colspan="3">Acceptable quantity</th> </tr> <tr> <th></th> <th>Size</th> <th>Quantity</th> </tr> </thead> <tbody> <tr> <td rowspan="2">On tray</td> <td><math>\Phi &lt; 0.2</math></td> <td>Any number</td> </tr> <tr> <td><math>\Phi &gt; 0.25</math></td> <td>4</td> </tr> <tr> <td rowspan="2">On display</td> <td><math>\Phi \geq 0.25</math></td> <td>2</td> </tr> <tr> <td><math>L = 3</math></td> <td>1</td> </tr> </tbody> </table>	Acceptable quantity				Size	Quantity	On tray	$\Phi < 0.2$	Any number	$\Phi > 0.25$	4	On display	$\Phi \geq 0.25$	2	$L = 3$	1
Acceptable quantity																		
	Size	Quantity																
On tray	$\Phi < 0.2$	Any number																
	$\Phi > 0.25$	4																
On display	$\Phi \geq 0.25$	2																
	$L = 3$	1																



**14. LCD MODULES HANDLING PRECAUTIONS**

- Please remove the protection foil of polarizer before using.
- The display panel is made of glass. Do not subject it to a mechanical shock by dropping it from a high place, etc.
- If the display panel is damaged and the liquid crystal substance inside it leaks out, do not get any in your mouth. If the substance come into contact with your skin or clothes promptly wash it off using soap and water.
- Do not apply excessive force to the display surface or the adjoining areas since this may cause the color tone to vary.
- The polarizer covering the display surface of the LCD module is soft and easily scratched. Handle this polarize carefully.
- To prevent destruction of the elements by static electricity, be careful to maintain an optimum work environment.
  - Be sure to ground the body when handling the LCD module.
  - Tools required for assembly, such as soldering irons, must be properly grounded.
  - To reduce the amount of static electricity generated, do not conduct assembly and other work under dry conditions.
  - The LCD module is coated with a film to protect the display surface. Exercise care when peeling off this protective film since static electricity may be generated.
- Storage precautions  
When storing the LCD modules, avoid exposure to direct sunlight or to the light of fluorescent lamps. Keep the modules in bags designed to prevent static electricity charging under low temperature / normal humidity conditions (avoid high temperature / high humidity and low temperatures below 0 °C).Whenever possible, the LCD modules should be stored in the same conditions in which they were shipped from our company.

**15. OTHERS**

- Liquid crystals solidify at low temperature (below the storage temperature range) leading to defective orientation of liquid crystal or the generation of air bubbles (black or white). Air bubbles may also be generated if the module is subjected to a strong shock at a low temperature.
- If the LCD modules have been operating for a long time showing the same display patterns may remain on the screen as ghost images and a slight contrast irregularity may also appear. Abnormal operating status can be resumed to be normal condition by suspending use for some time. It should be noted that this phenomena does not adversely affect performance reliability.
- To minimize the performance degradation of the LCD modules resulting from caused by static electricity, etc. exercise care to avoid holding the following sections when handling the modules:
  - Exposed area of the printed circuit board
  - Terminal electrode sections