



Chongqing Jieheng Peristaltic Pumps Co., Ltd.

Add:4F,6# Bldg,Jinguan Industrial Center,No.1076 Airport Ave.,Yubei Dist,Chongqing,China

Tel: +86-23-67191257 / 67191258

Fax: +86-23-67191259

E-mail:sales@jihpump.com

Http://www.jihpump.net


Product Specification

Product Name: Easy Load Type Peristaltic Pump

Product Series: 353K

Standard: Q/CJH1-2020

Drawn by	Su Chenglin
Checked by	Liu Peng
Approved by	Kuang Yong

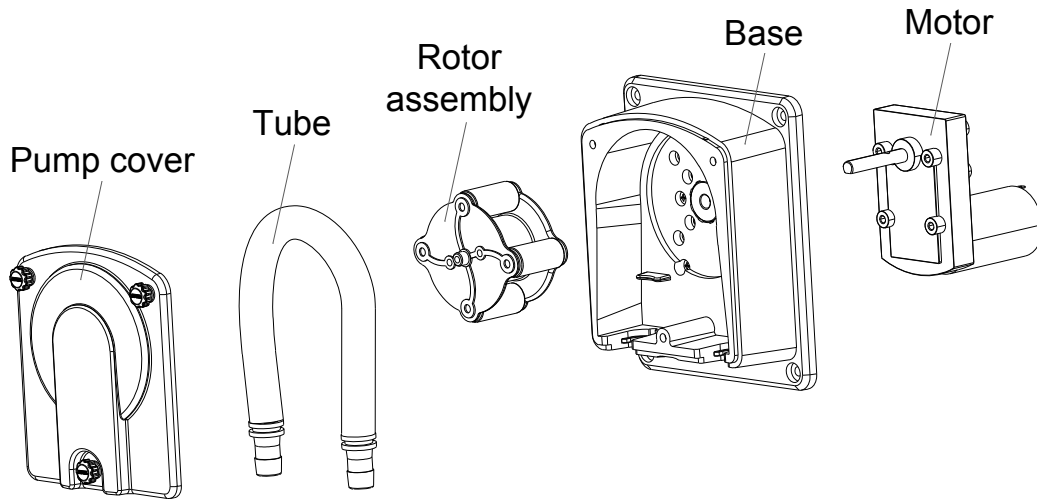
	<h1>Product Specification</h1>		File No.: 353K-0
			Version: B8
	Product name: Easy Load type peristaltic pump	Series: 353K	Valid date: May-25-2022

I. General Presentation

1. Photo



2. Configuration



3. Model No.

- 353K/ZL (ZL is for geared DC motor)
- 353K/ZLX (ZLX is for geared DC planetary motor)
- 353K/BT (BT is for stepper motor)




353K/ZL



353K/ZLX



353K/BT

	Product Specification		File No.: 353K-0
	Product name: Easy Load type peristaltic pump	Series: 353K	Version: B8 Valid date: May-25-2022

4. Option colors



Blue

Brown

5. Feature

5.1 Feature

- A easy-load peristaltic pump product, tool-free disassembly of the pump cover, easy to replace the tube
- Streamlined, waterproof, dustproof and easy to clean
- The product has certain corrosion resistant application scenarios.
- Flow rate up to 7360ml/min
- Can be installed with a 3.3mm wall thickness hose for easy delivery of large flow viscous liquids
- Can adapt to DC, DC planetary, brushless, stepping and other drive motors
- The pump body base is designed with mounting holes without the need for a mounting plate.

5.2 Application

- Chemical industry: chemical delivery
- Food Process: canned drinks
- Printing and dyeing industry: dye delivery
- Laboratory: chemical or fluid professional experiments
- Laundry detergent dispenser
- Pesticide spraying: conveying from ground filling stations

6. Material

Series	Cover	Base	Rollers	Rotor frame	Fittings
353K	PC	PA	POM	PA	PP

7. Certifications & Patents

CE Certificate

No.0P160508.CJPDU11



ROHS Certificate


No.CKGE1500614902



	Product Specification		File No.: 353K-0
	Product name: Easy Load type peristaltic pump	Series: 353K	Version: B8 Valid date: May-25-2022

8. Product risk warnings already known:

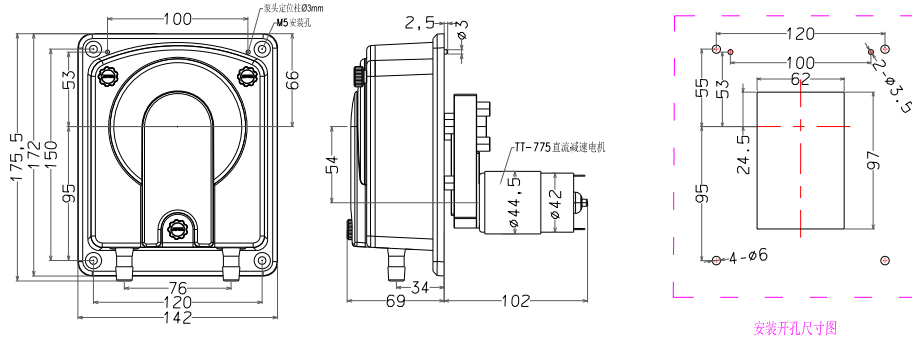
- 8.1. Whether the tube is resistant to liquid medium requires chemical compatibility or immersion test.
Improper tube selection may cause the tube to be damaged quickly.
- 8.2. The liquid leakage accident caused by the tube rupture depends on the nature of the liquid and specific application conditions.
- 8.3. Whether the parts of the product are corroded depends on the chemical compatibility of the liquid and the product and the specific application environment.
- 8.4. The service life of the drive motor depends on the national standard of the motor and the application.
- 8.5. Improper tube specifications may cause the peristaltic pump to malfunction.
- 8.6. Over-rated power supply voltage may cause damage to the product, and overload work may cause premature product damage.

	<h1>Product Specification</h1>		File No.: 353K-0
			Version: B8
	Product name: Easy Load type peristaltic pump	Series: 353K	Valid date: May-25-2022

II. Specification

Model 353K/ZL

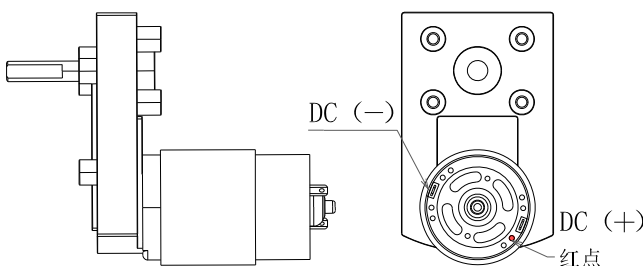
1. Dimension



2. Parameter

Rated voltage	DC 12V,4A or DC 24V,2A					
Power	≤48W					
Operating environment	Temperature 0~60°C, relative humidity less than 85%					
Net weight	1282g					
Outlet pressure	≤0.17MPa					
Noise	≤67dB (testing environment noise≤50dB. The horizontal distance between the test product and the noise meter is 1 meter.)					
Function	Start/stop, cw/ccw rotation, up/down speed					
Flow amount (ml/min)						
	Tube	Silicone tube		A-60-F tube		Chemical tube
Voltage/RPM		73#	82#	73#	82#	73# 82#
135rpm		2075	3085	1905	2820	1855 2700
166rpm		2655	3915	2400	3555	2340 3390
Note: 1) The flow data of the above table is measured by using clear water at the normal temperature of Jieheng laboratory, for reference only. 2) The tube material, size tolerance, transport medium viscosity, suction and lift height will affect the flow rate. 3) The tube is the only consumable of the peristaltic pump, and the long-time extrusion work is prone to wear or breakage.						
Tube life	Silicone tube≥250h, A-60-F tube≥1000h, chemical tube≥1000h (Note: The tube life is measured at a pump speed of 300rpm, no pressure at the hose outlet, and water delivery. For reference only, the actual data depends on the operating conditions.)					
Motor life	≥1000h (temperature 15~35° C, relative humidity 55%~75%, rated voltage, rated load, temperature rise≤30° C, continuous working time<10min)					

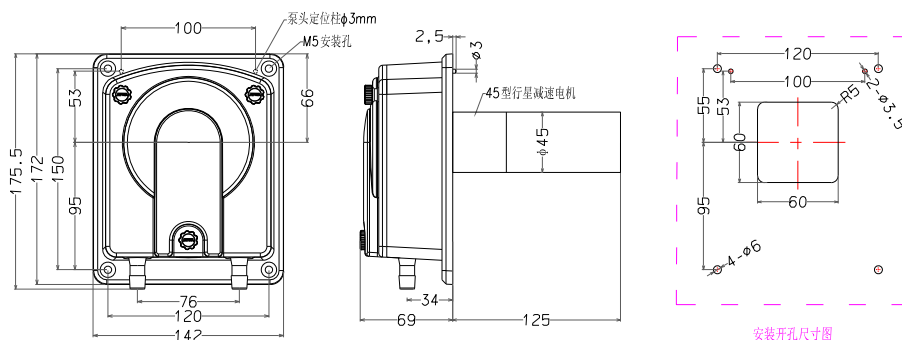
3. Motor wiring



The positive pole of the power supply connects to "+", the negative pole connects to "-", and the motor rotation direction is clockwise (CW). On the contrary, the motor rotation direction is counterclockwise (CCW).

Model 353K/ZLX

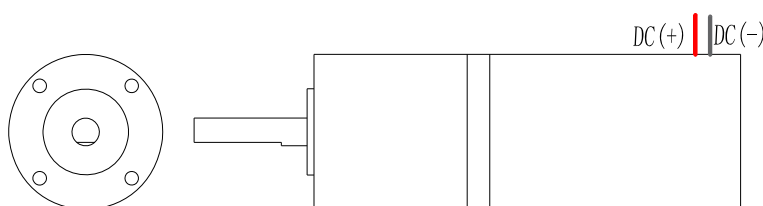
1. Dimension



2. Parameter

Rated voltage	DC 24V, 4A					
Power	≤72W					
Operating environment	Temperature 0~60°C, relative humidity less than 85%					
Net weight	1313g					
Outlet pressure	≤0.17MPa					
Noise	≤72dB (testing environment noise≤50dB. The horizontal distance between the test product and the noise meter is 1 meter.)					
Function	Start/stop, cw/ccw rotation, up/down speed					
Flow amount (ml/min)						
	Tube	Silicone tube		A-60-F tube		Chemical tube
Voltage/RPM		73#	82#	73#	82#	73# 82#
100rpm		1610	2415	1440	2130	1340 1970
200rpm		3040	4600	2750	4090	2575 3820
300rpm		4810	7055	4485	6575	4180 6420
Note: 1) The flow data of the above table is measured by using clear water at the normal temperature of Jieheng laboratory, for reference only. 2) The tube material, size tolerance, transport medium viscosity, suction and lift height will affect the flow rate. 3) The tube is the only consumable of the peristaltic pump, and the long-time extrusion work is prone to wear or breakage.						
Tube life	Silicone tube ≥250h, A-60-F tube ≥1000h, chemical tube ≥1000h (Note: The tube life is measured at a pump speed of 300rpm, no pressure at the hose outlet, and water delivery. For reference only, the actual data depends on the operating conditions.)					
Motor life	≥2000h (temperature 15~35° C, relative humidity 55%~75%, rated voltage, rated load, temperature rise ≤30° C, continuous working time <10min)					

3. Motor wiring

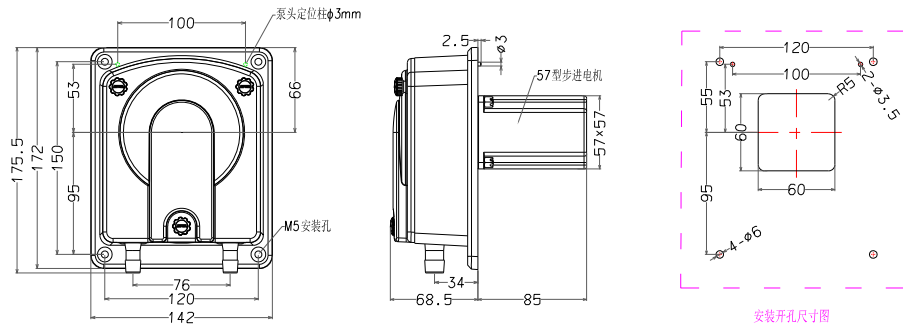


The positive pole of the power supply connects to "+", negative pole connects to "-", and the motor rotation direction is counterclockwise (CCW). On the contrary, the motor rotation direction is clockwise (CW).

	Product Specification		File No.: 353K-0
			Version: B8
	Product name: Easy Load type peristaltic pump	Series: 353K	Valid date: May-25-2022

Model 353K/BT

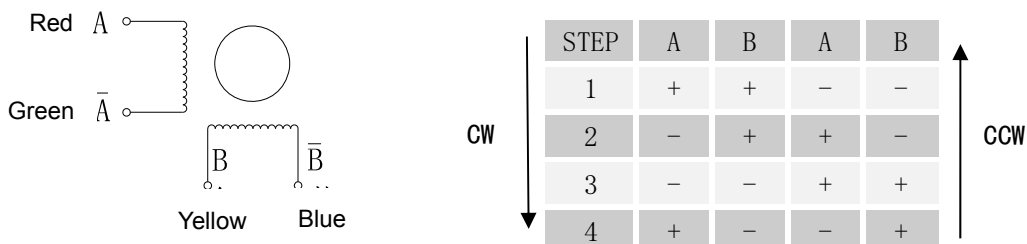
1. Dimension



2. Parameter

Rated voltage	DC 24V, 4A or 36V, 3.3A	
Power	≤54W	
Operating environment	Temperature 0~60°C, relative humidity less than 85%	
Net weight	1825g	
Outlet pressure	≤0.17MPa	
Noise	≤61dB (testing environment noise≤50dB. The horizontal distance between the test product and the noise meter is 1 meter.)	
Function	Start/stop, cw/ccw rotation, up/down speed (by controller)	
Flow amount (ml/min)		
Voltage/RPM	Tube	
	Silicone tube	
	73#	82#
24V	4120 (280rpm)	3400 (150rpm)
36V	5650 (400rpm)	7270 (300rpm)
<p>Note: 1) The flow data of the above table is measured by using clear water at the normal temperature of Jieheng laboratory, for reference only. 2) The tube material, size tolerance, transport medium viscosity, suction and lift height will affect the flow rate. 3) The tube is the only consumable of the peristaltic pump, and the long-time extrusion work is prone to wear or breakage. 4) Due to the torque limitation, the motor can only be equipped with silicone tube.</p>		
Tube life	Silicone tube≥250h (Note: The hose life is measured at a pump speed of 300rpm, no pressure at the hose outlet, and water delivery. For reference only, the actual data depends on the operating conditions.)	
Motor life	>6000h (temperature 15~35° C, relative humidity 55%~75%, rated voltage, rated load, continuous working)	




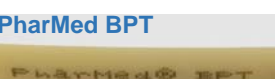
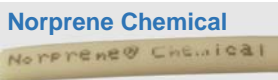
3. Motor wiring



Phase	Resistance	Inductance	Current	Acc/Dec time	Holding torque	Insulation class
2	1.3±10%Ω	5.5±20% mH	3A	1 rpm/ms	220N.cm	B

	<h1>Product Specification</h1>		File No.: 353K-0
			Version: B8
	Product name: Easy Load type peristaltic pump	Series: 353K	Valid date: May-25-2022

III. Tube type

Tube type	Description	Compliance	Tube No.
	<ul style="list-style-type: none"> ● High performance platinum vulcanized silicone tube ● Ultra-smooth inner wall for minimal particle adhesion 	RoHS	73# 82#
	<ul style="list-style-type: none"> ● Ideal for high temperature food applications ● Heat and ozone resistance, good acid and alkali resistance 	FDA、3A、NSF、REACH、RoHS	73# 82#
	<ul style="list-style-type: none"> ● Lightfastness and ozone resistance, life expectancy up to 1000h ● Suitable for the transport of soaps, disinfectants and inks 	NSF、REACH、RoHS	73# 82#
	<ul style="list-style-type: none"> ● Resistance to common chemicals, acidity and oxidation resistance ● Life exceeds 1000h 	USP Class VI、EP、FDA、NSF、REACH、RoHS	73# 82#
	<ul style="list-style-type: none"> ● Excellent chemical and bio compatibility ● Long life and durability under high pressure conditions 	USP Class VI、FDA、REACH、RoHS	73# 82#

IV. Option accessories

Name	Model No.	Description
Filling needle	OD $\phi 12/\phi 14$	Prevent liquid dripping
One-way valve filling needle	OD $\phi 8/\phi 10$	Prevent liquid dripping
Anti-float head	73#/82#	Immerse the tube inlet completely in the liquid
Speed controller for DC motor	JZL-B	Adjust speed on DC motor, DC planetary motor
Micro controller for 57 type stepper motor	JBT-BM	Accepts voltage, current and PWM pulse to adjust the speed, with start/stop, forward/reverse, and up/down speed function
	QBT-M1	Accept pulse, direction and enable signals
	JBT-BT	MODBUS data controls speed, start/stop, and forward/reverse

